

# DEV-KIT - HL78xx

## TABLE OF CONTENTS

REV	DESCRIPTION	DATE
1	DV1	20180309
1.2	DV1.2	20180528
2	DV2	20180608
3	DV3	20180723
4	DV4	20180906

SHEET	TITLE
1	Table of contents
2	CONTROL & POWERS
3	USB_UART0 & SIM
4	USB_UART1 & USB Main
5	RS232 UART1
6	DIGITAL AUDIO CODEC
7	LGA Connector Module HL78xx
8	MAIN POWER
9	RF & GPS Antenna Detection
10	LED INDICATORS 1/2
11	LED INDICATORS 2/2 + GPIOs Dip Switch
12	BOARD to BOARD Connectors & TEST POINTS
13	JTAG & Back-Up Battery RTC
14	RS232 UART0
15	Mechanical

Product	Main Tech. Features	SCH#	PCB#	PCA#
DEV-KIT HL78xx R&D	DEMOBOARD (EVB) WITHOUT SNAP IN,HL780X	2142655	5303247	5303252
DEV-KIT HL78xx CUSTOMER	DEMOBOARD (EVB) WITH SNAP IN,HL780X	2142655	5303247	5303137

### VARIANTS TABLE

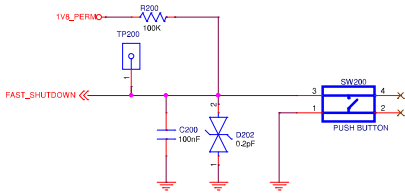
VARIANTS	DEV-KIT HL78xx CUSTOMER	DEV-KIT HL78xx R&D
COMMON	Y	Y
CONNECTORS(*)	N	Y
SNAP-IN(**)	Y	N
DNI	N	N

(\*) : 2 connectors 100pts  
 (\*\*) : SNAP-IN + RF connectors + JTAG connector

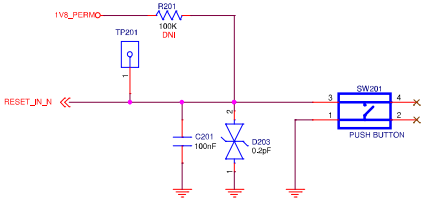


<p>This document contains information which is proprietary and confidential to Sierra Wireless Inc. Disclosure to Persons other than the officers, employees, agents or subcontractors of the company or licensee of this document without the prior written permission of Sierra Wireless Inc. is strictly prohibited.</p> <p>Copyright (C) 2016</p>			SITE
			ILM
			LEAD ENGINEER
			PBT/FDL
DOCUMENT NUMBER	2142655	REV SCH	REV PCB
PROJECT	DEV-KIT HL78XX	4	4
DATE	Thursday, September 06, 2016	SHEET	1 OF 15

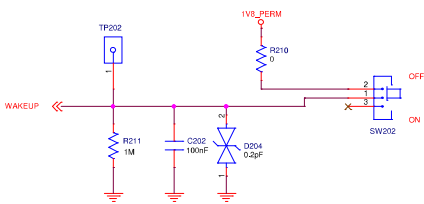
# FAST\_SHUTDOWN



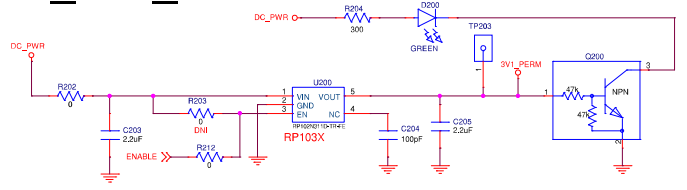
# RESET



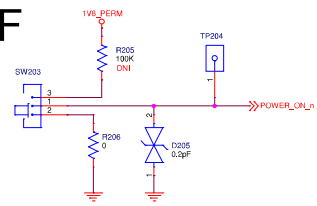
# WAKE\_UP



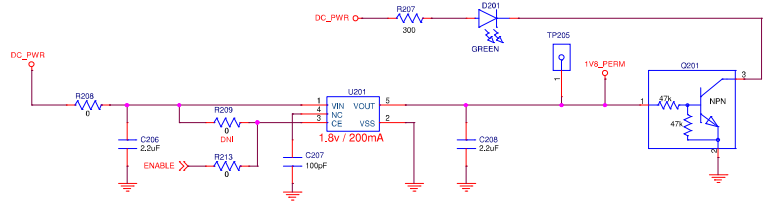
# LDO\_3V1\_PERM



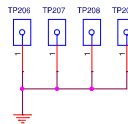
# ON/OFF



# LDO\_1V8\_PERM



# GND TP



This document contains information which is proprietary and confidential to Sierra Wireless Inc. Disclosure to Persons other than the officers, employees, agents or subcontractors of the company or licensee of this document without the prior written permission of Sierra Wireless Inc. is strictly prohibited.

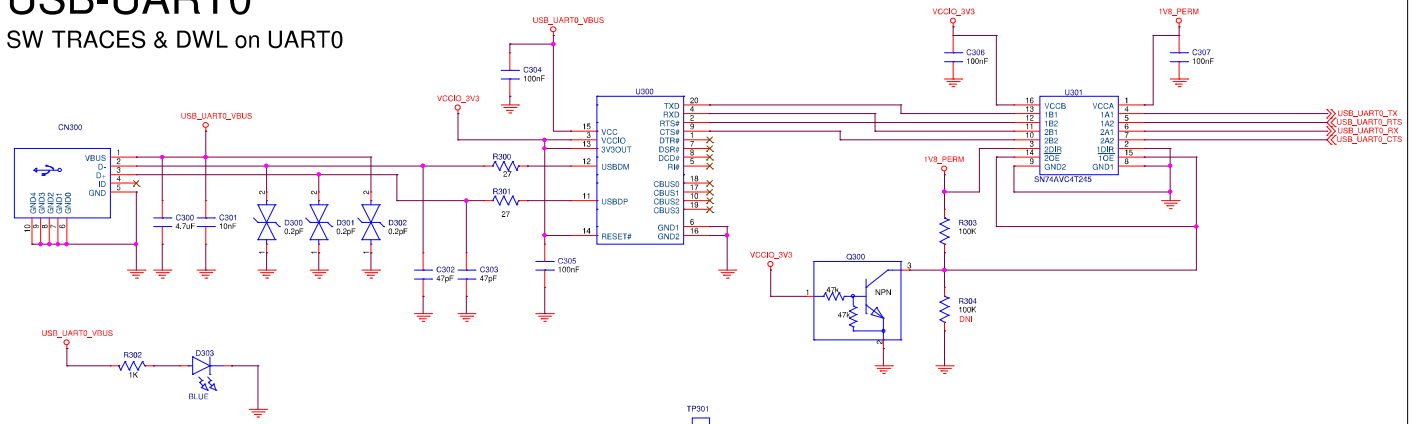
Copyright (C) 2016



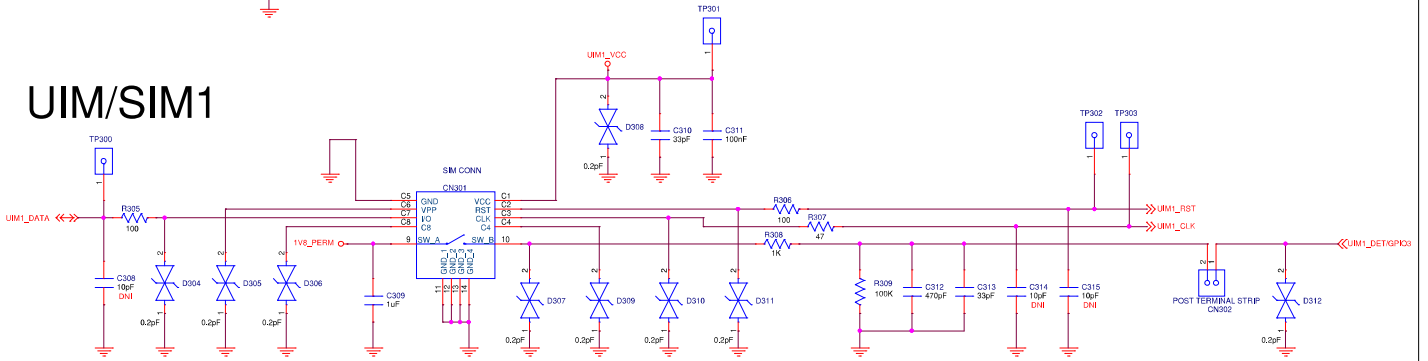
SITE	
ILM	
LEAD ENGINEER	
FBT/FDL	
DOCUMENT NUMBER	REV SCH
2142655	4
PROJECT	REV PCB
DEV-KIT HL78XX	4
DATE	SIZE
Wednesday, September 12, 2016	A3
SHEET 2	OF 15

# USB-UART0

SW TRACES & DWL on UART0



# UIM/SIM1



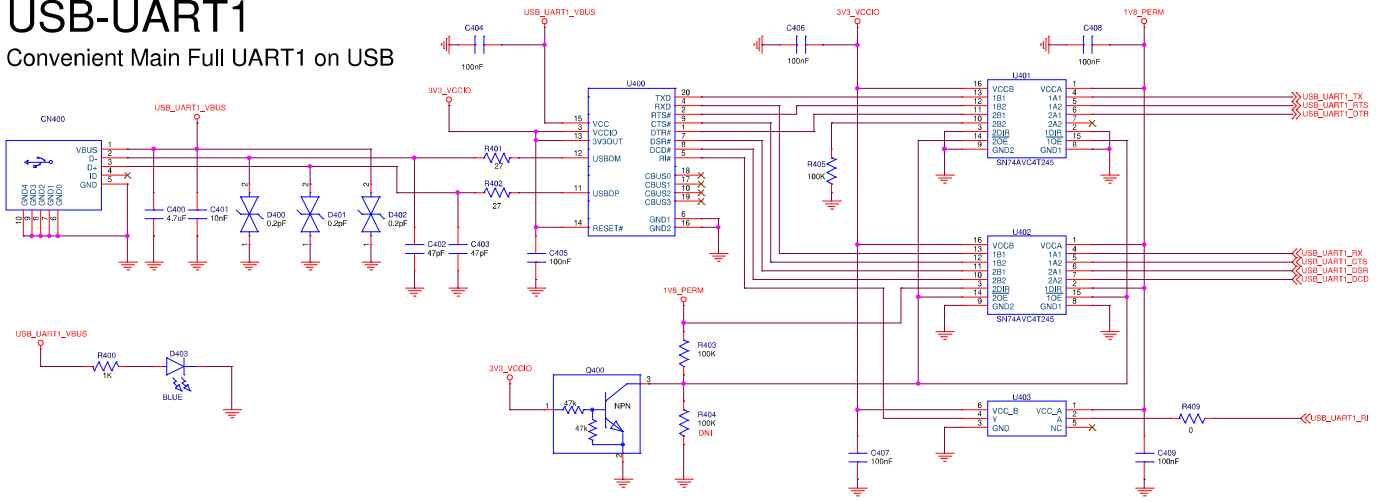
This document contains information which is proprietary and confidential to Sierra Wireless Inc. Disclosure to Persons other than the officers, employees, agents or subcontractors of the company or licensee of this document without the prior written permission of Sierra Wireless Inc. is strictly prohibited.

Copyright (C) 2016

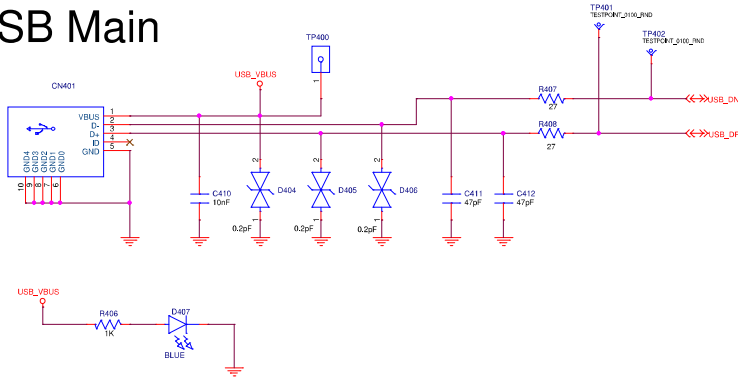
		SITE	
		ILM	LEAD ENGINEER
DOCUMENT NUMBER 2142655		REV SCH 4	REV PCB 4
PROJECT DEV-KIT HL78XX		SIZE A3	
DATE Friday, August 31, 2016		SHEET 3	OF 15

# USB-UART1

Convenient Main Full UART1 on USB



# USB Main



This document contains information which is proprietary and confidential to Sierra Wireless Inc. Disclosure to Persons other than the officers, employees, agents or subcontractors of the company or licensee of this document without the prior written permission of Sierra Wireless Inc. is strictly prohibited.

Copyright (C) 2016

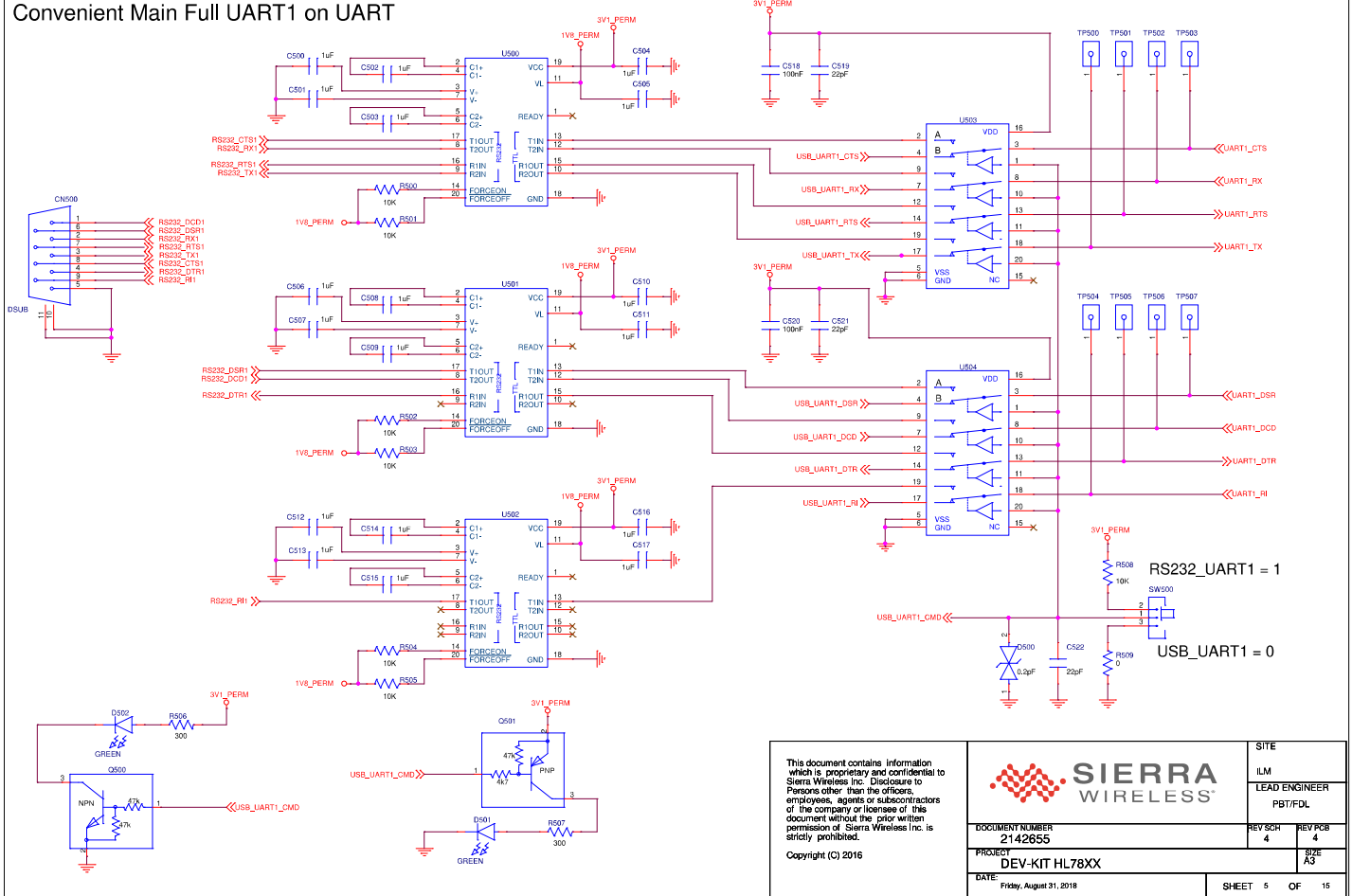
		SITE	
		ILM	
DOCUMENT NUMBER <b>2142655</b>		LEAD ENGINEER PBT/FDL	
PROJECT <b>DEV-KIT HL78XX</b>		REV SCH 4	REV PCB 4
DATE Friday, August 31, 2018		SIZE A3	
		SHEET 4	OF 15

# UART1

Convenient Main Full UART1 on UART

## 3 Mbps UART1 Transceiver

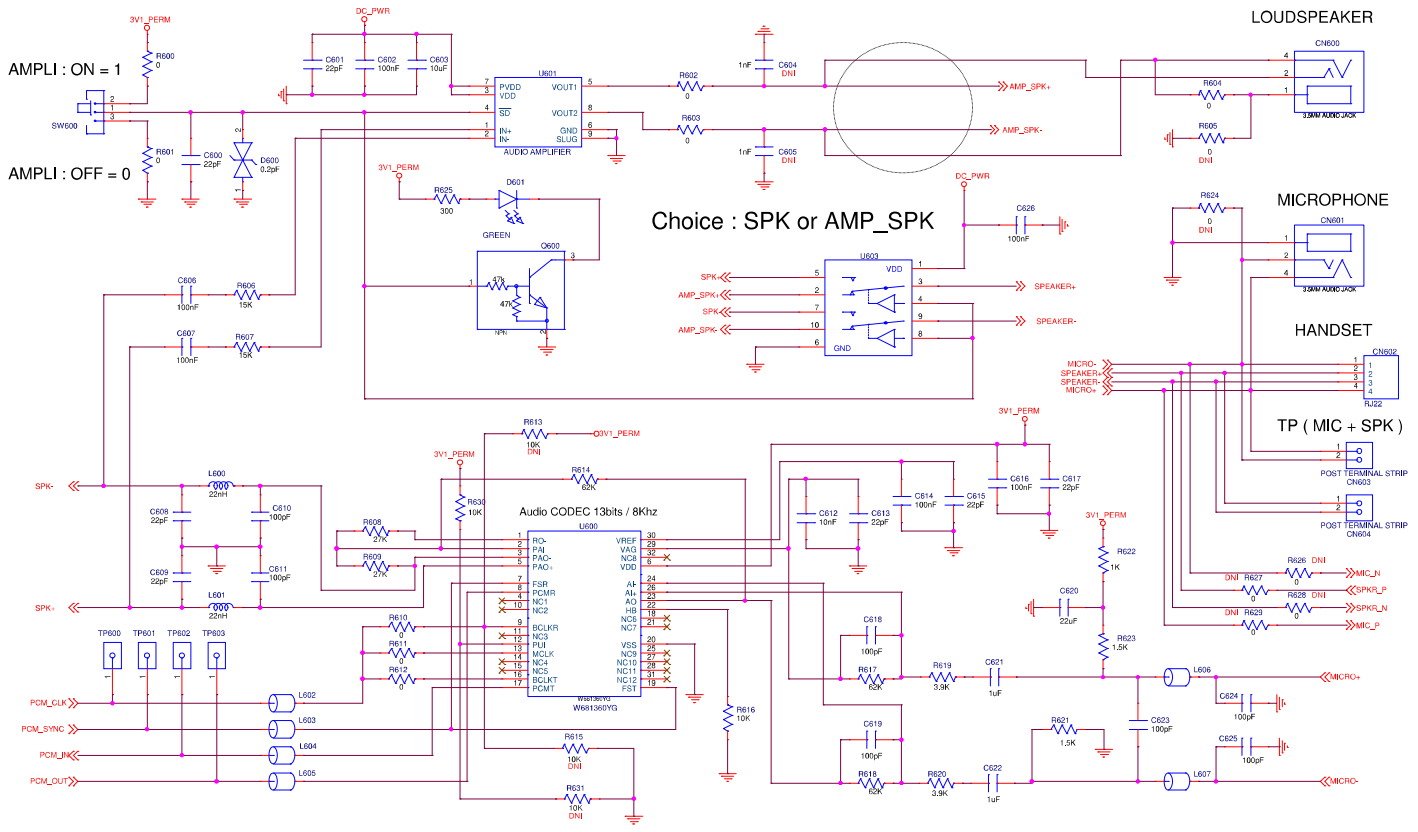
Choice : USB\_UART1 or RS232\_UART1



This document contains information which is proprietary and confidential to Sierra Wireless Inc. Disclosure to Persons other than the officers, employees, agents or subcontractors of the company or licensee of this document without the prior written permission of Sierra Wireless Inc. is strictly prohibited.

Copyright (C) 2016

		SITE	
		ILM	
DOCUMENT NUMBER <b>2142655</b>		LEAD ENGINEER	
		PBT/FDL	
PROJECT <b>DEV-KIT HL78XX</b>		REV SCH	REV PCB
		4	4
DATE Friday, August 31, 2018		SIZE	
		A3	
		SHEET	OF
		5	15



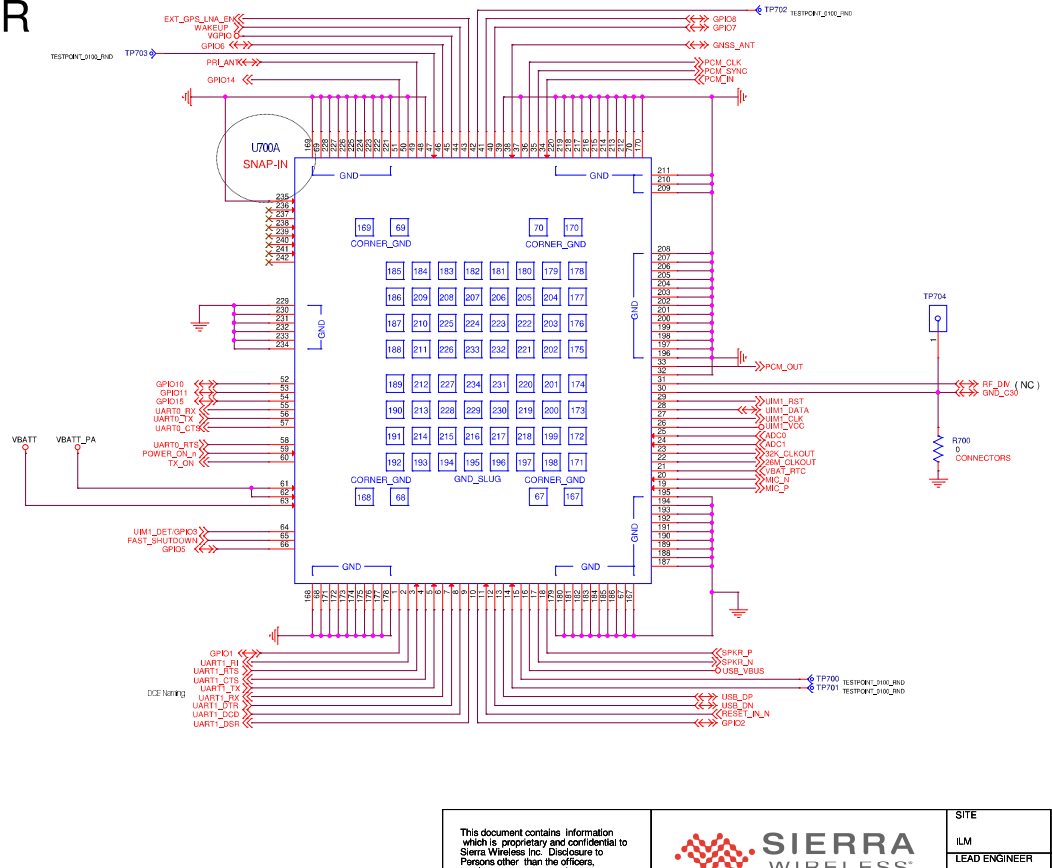
# DIGITAL AUDIO

This document contains information which is proprietary and confidential to Sierra Wireless Inc. Disclosure to Persons other than the officers, employees, agents or subcontractors of the company or licensee of this document without the prior written permission of Sierra Wireless Inc. is strictly prohibited.

Copyright (C) 2016

		SITE	
		ILM	
DOCUMENT NUMBER <b>2142655</b>		LEAD ENGINEER	
		PBT/PDL	
PROJECT <b>DEV-KIT HL78XX</b>		REV SCH	REV PCB
		4	4
DATE: Wednesday, September 12, 2016		SIZE	SIZE
		A3	A3
		SHEET	OF
		6	15

# LGA CONNECTOR SNAP-IN

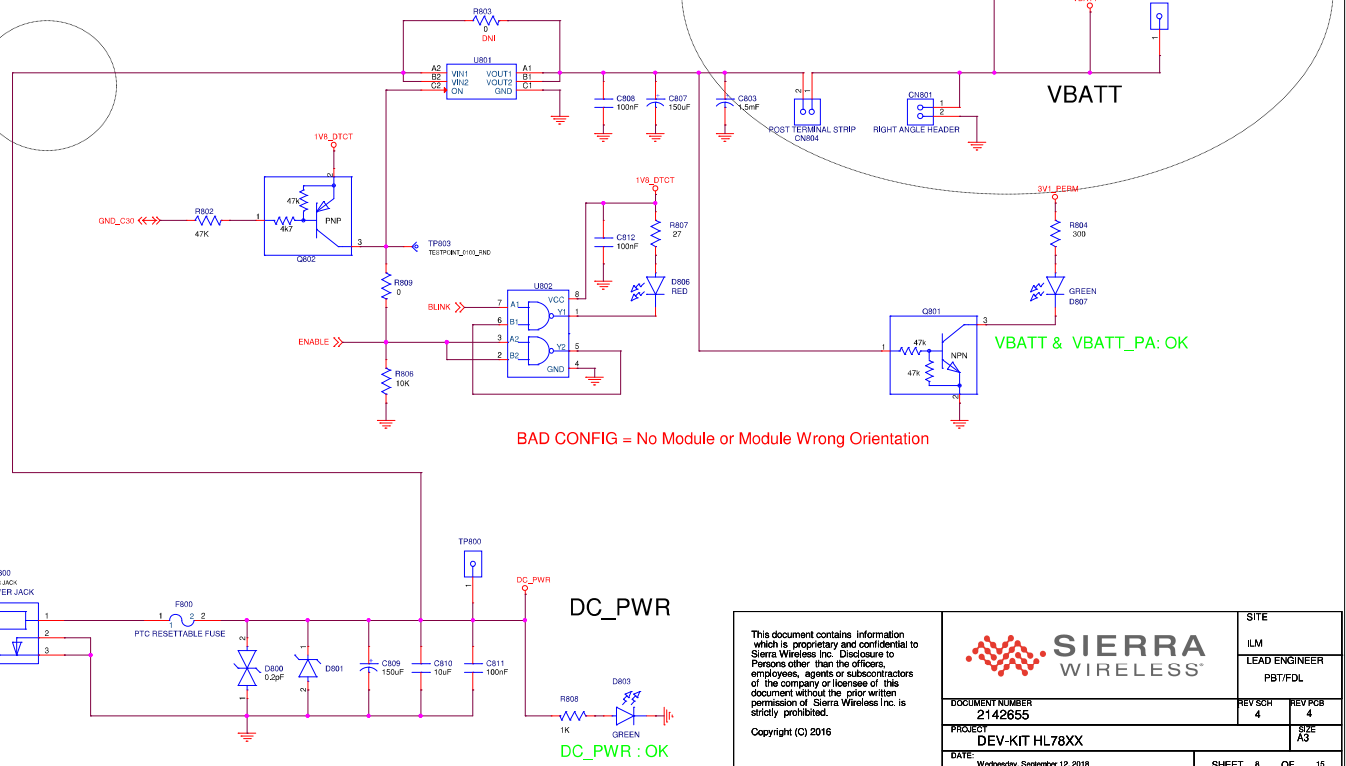
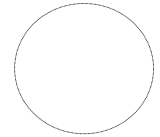


This document contains information which is proprietary and confidential to Sierra Wireless Inc. Disclosure to Persons other than the officers, employees, agents or subcontractors of the company or licensee of this document without the prior written permission of Sierra Wireless Inc. is strictly prohibited.

Copyright (C) 2016

		SITE	
		ILM	
DOCUMENT NUMBER <b>2142655</b>		REV SCH	REV PCB
		4	4
PROJECT <b>DEV-KIT HL78XX</b>		SIZE A3	
DATE Wednesday, September 12, 2016		SHEET 7	OF 15

# MAIN POWER

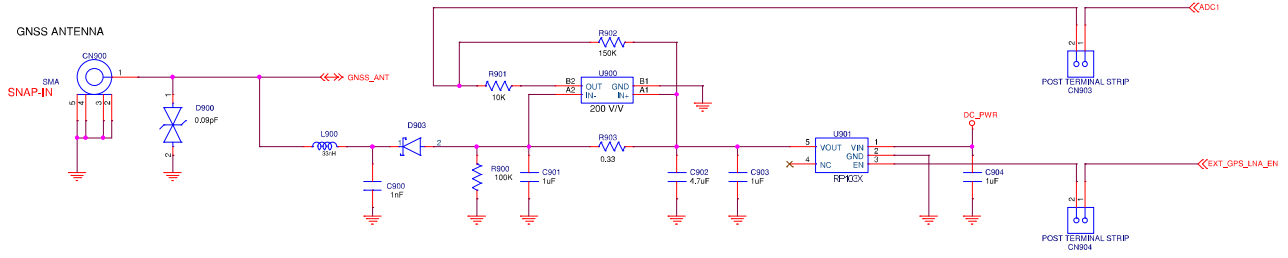


This document contains information which is proprietary and confidential to Sierra Wireless Inc. Disclosure to Persons other than the officers, employees, agents or subcontractors of the company or licensee of this document without the prior written permission of Sierra Wireless Inc. is strictly prohibited.  
Copyright (C) 2016

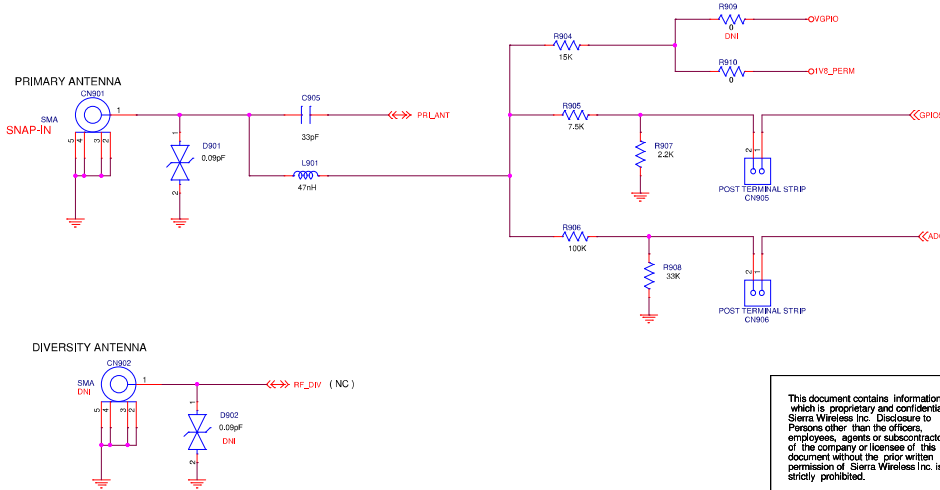
		SITE	
		ILM	
DOCUMENT NUMBER 2142655		REV SCH 4	REV PCB 4
PROJECT DEV-KIT HL78XX		SIZE A3	
DATE Wednesday, September 12, 2018		SHEET 8 OF 15	



# GNSS Antenna Bias and Detection Circuit



# RF Antenna Detection Circuit

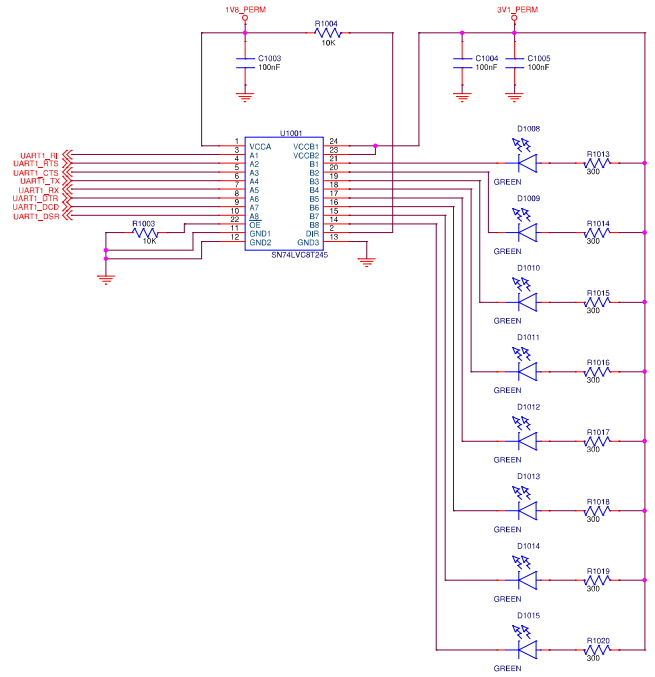
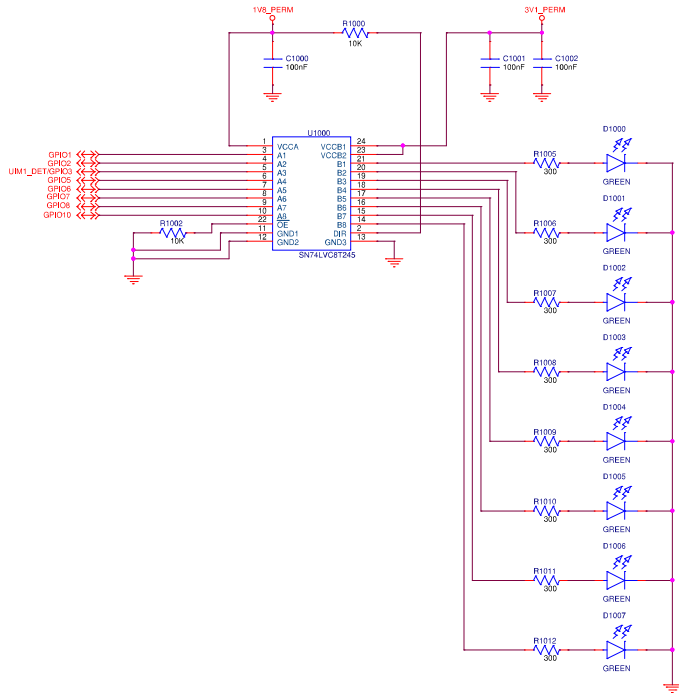


This document contains information which is proprietary and confidential to Sierra Wireless Inc. Disclosure to Persons other than the officers, employees, agents or subcontractors of the company or licensee of this document without the prior written permission of Sierra Wireless Inc. is strictly prohibited.

Copyright (C) 2016

		SITE	
		ILM	
DOCUMENT NUMBER <b>2142655</b>		LEAD ENGINEER	REV SCH
		FBI/FDL	4
PROJECT <b>DEV-KIT HL78XX</b>		REV PCB	4
DATE Wednesday, September 12, 2018		SIZE	A3
		SHEET	9 OF 15

# LED INDICATORS 1/2

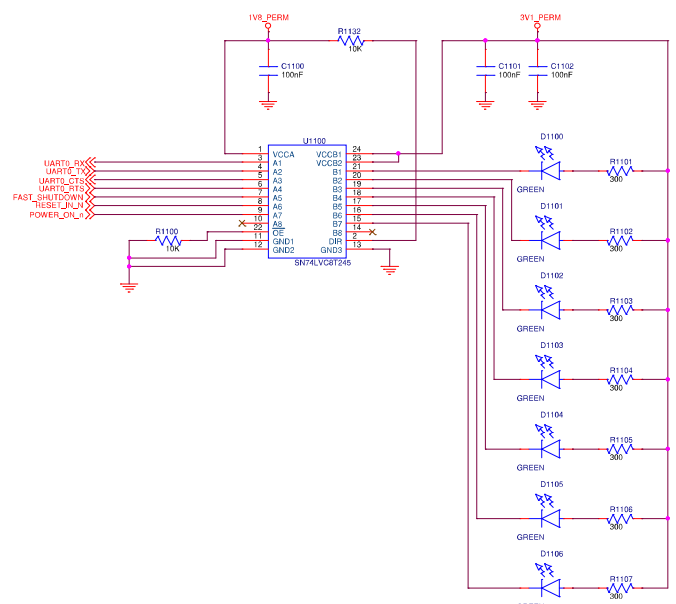
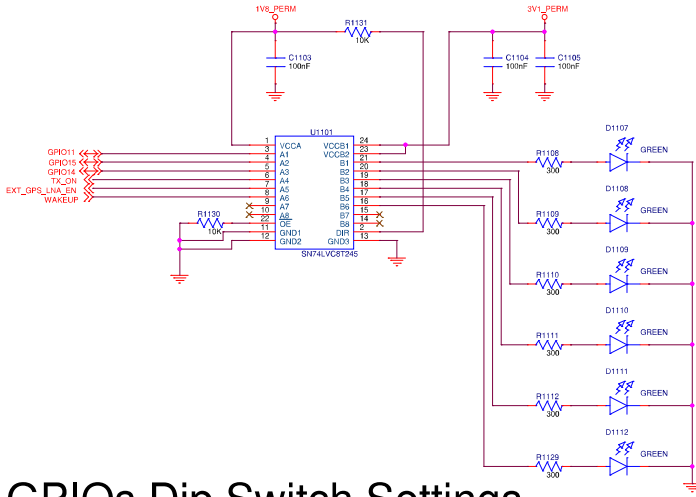


This document contains information which is proprietary and confidential to Sierra Wireless Inc. Disclosure to Persons other than the officers, employees, agents or subcontractors of the company or licensee of this document without the prior written permission of Sierra Wireless Inc. is strictly prohibited.

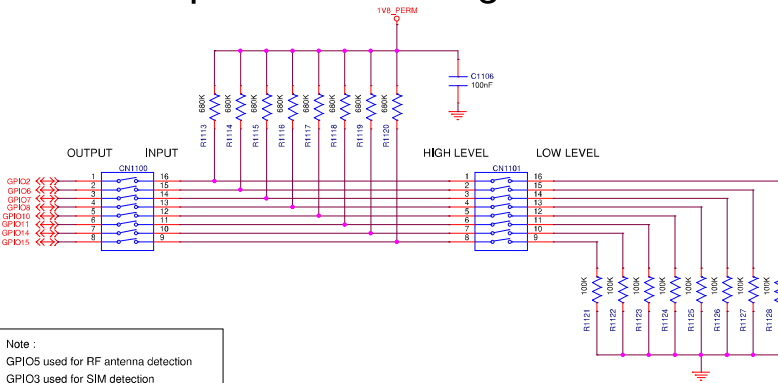
Copyright (C) 2016

		SITE	
		ILM	
DOCUMENT NUMBER <b>2142655</b>		LEAD ENGINEER	
		PBT/FDL	
PROJECT		REV SCH	REV PCB
DEV-KIT HL78XX		4	4
DATE		SIZE	
Friday, August 31, 2018		A3	
SHEET		10	OF 15

# LED INDICATORS 2/2



## GPIOs Dip Switch Settings

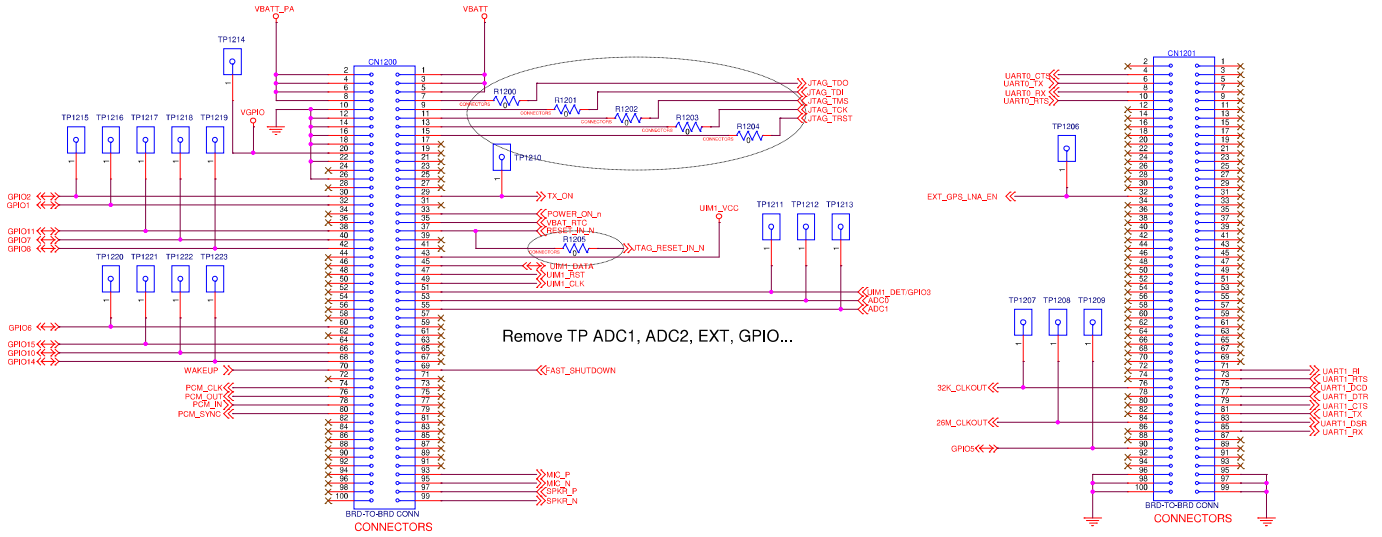


Note :  
GPIO5 used for RF antenna detection  
GPIO3 used for SIM detection

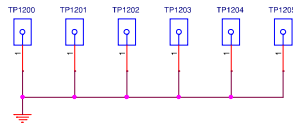
This document contains information which is proprietary and confidential to Sierra Wireless Inc. Disclosure to Persons other than the officers, employees, agents or subcontractors of the company or licensee of this document without the prior written permission of Sierra Wireless Inc. is strictly prohibited.  
Copyright (C) 2016

		SITE	
		ILM	
DOCUMENT NUMBER <b>2142655</b>		REV SCH	REV PCB
		4	4
PROJECT		SIZE	
DEV-KIT HL78XX		A3	
DATE		SHEET	
Monday, November 19, 2016		11	OF 15

# BOARD TO BOARD CONNECTORS & TEST POINTS



## GND TP

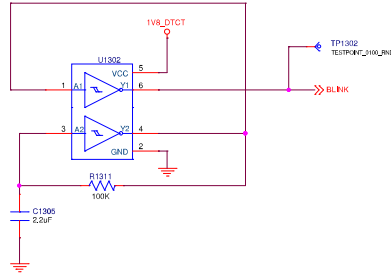
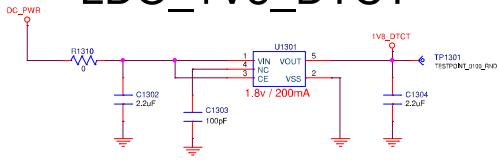


This document contains information which is proprietary and confidential to Sierra Wireless Inc. Disclosure to Persons other than the officers, employees, agents or subcontractors of the company or licensee of this document without the prior written permission of Sierra Wireless Inc. is strictly prohibited.  
Copyright (C) 2016

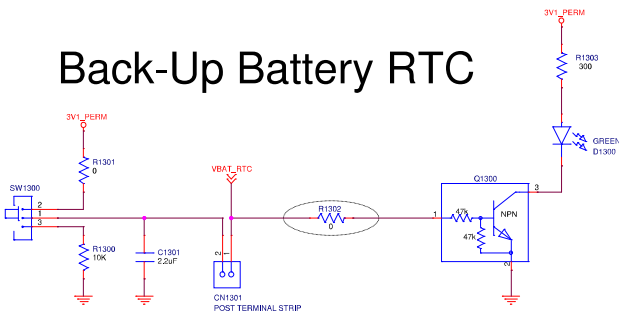


<b>SIERRA WIRELESS</b>		SITE	
		ILM	LEAD ENGINEER
DOCUMENT NUMBER 2142655		REV SCH 4	REV PCB 4
PROJECT		DEV-KIT HL78XX	
DATE: Wednesday, September 12, 2016		SHEET 12	OF 15

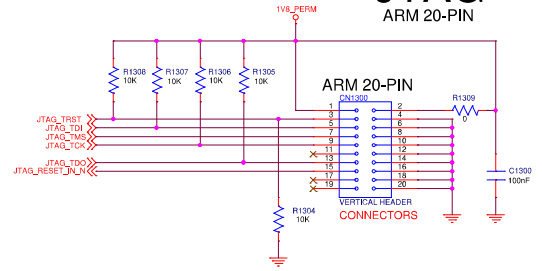
# LDO\_1V8\_DTCT



# Back-Up Battery RTC



# JTAG ARM 20-PIN



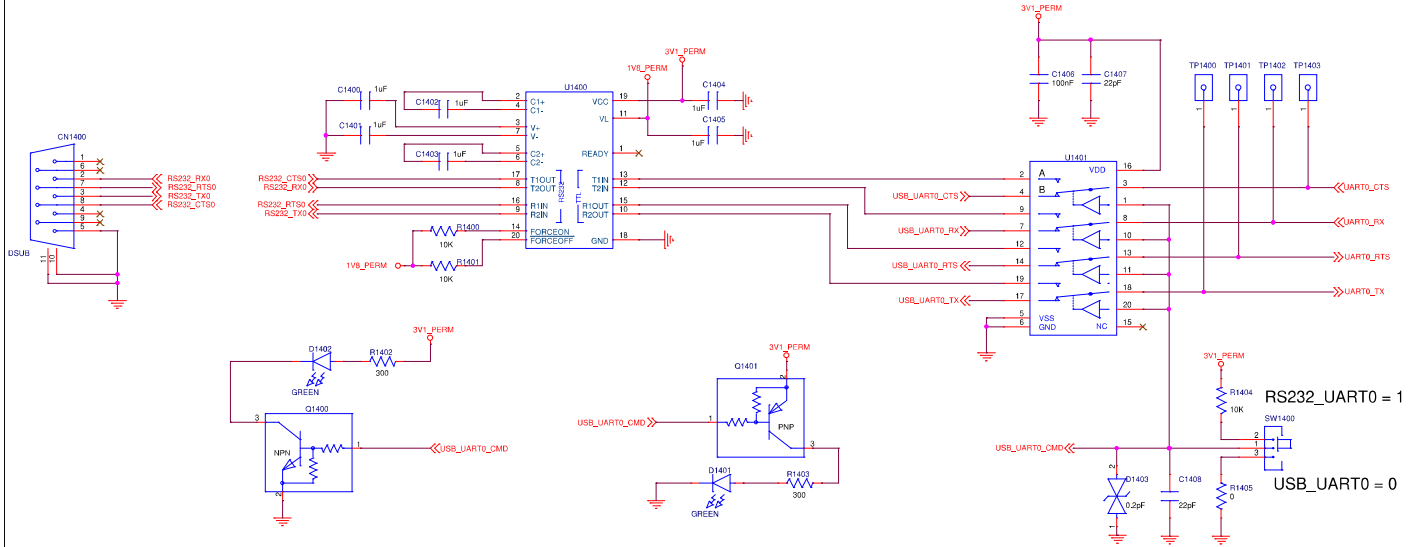
<p>This document contains information which is proprietary and confidential to Sierra Wireless Inc. Disclosure to Persons other than the officers, employees, agents or subcontractors of the company or licensee of this document without the prior written permission of Sierra Wireless Inc. is strictly prohibited.</p> <p>Copyright (C) 2016</p>			SITE
			ILM
			LEAD ENGINEER
			PBT/FDL
DOCUMENT NUMBER	2142655	REV SCH	REV PCB
PROJECT	DEV-KIT HL78XX	4	4
DATE	Wednesday, September 12, 2016	SIZE	A3
		SHEET	13 OF 15

# USB-UART0

SW TRACES & DWL on UART0

3 Mbps UART0 Transceiver

Choice : USB\_UART0 or RS232\_UART0

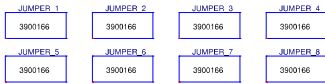


This document contains information which is proprietary and confidential to Sierra Wireless Inc. Disclosure to Persons other than the officers, employees, agents or subcontractors of the company or licensee of this document without the prior written permission of Sierra Wireless Inc. is strictly prohibited.  
Copyright (C) 2016

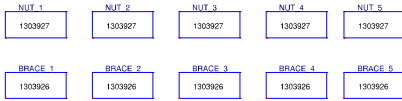
		SITE	
		ILM	
DOCUMENT NUMBER 2142655		REV SCH	REV PCB
		4	4
PROJECT DEV-KIT HL78XX		SIZE	SIZE
		A3	A3
DATE: Friday, August 31, 2016		SHEET	OF
		14	15

# MECHANICAL

## JUMPERS



## BRACES & NUTS



## HOLES FOR BRACES



## HOLES FOR MECHANICAL SOCKET MODULE



## PCB



INTERPOSER (5303151)  
 COVER SNAP-IN (6000596)

## SCHEMATIC



MIRES & LOCATING  
 add locating & mires

This document contains information which is proprietary and confidential to Sierra Wireless Inc. Disclosure to Persons other than the officers, employees, agents or subcontractors of the company or licensee of this document without the prior written permission of Sierra Wireless Inc. is strictly prohibited. Copyright (C) 2016			SITE		
			ILM		
	DOCUMENT NUMBER 2142655		REV SCH 4	LEAD ENGINEER FBT/FDL	
	PROJECT DEV-KIT HL78XX		REV PCB 4	SIZE A3	
DATE Monday, September 10, 2018		SHEET 15 OF 15			